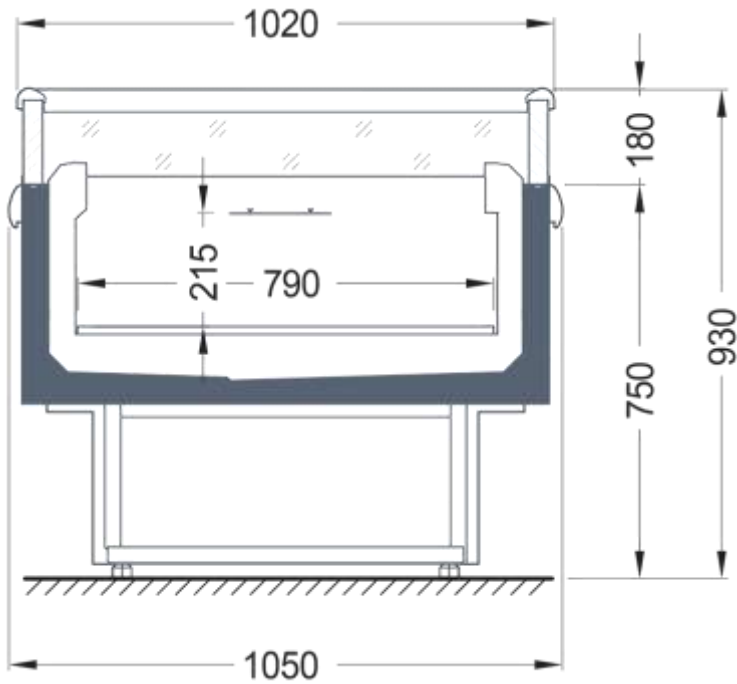


**M1/ L1**



**MODULES** 1.5 2.0 2.5

- PVC bumper
- external colours – RAL 9006 (other colours available)
- Internal colour – white
- Electronic controller
- Automatic evaporation of condensate
- Electrical defrosting
- Dual temperature
- Base grids & dividers included

**JBG 2**