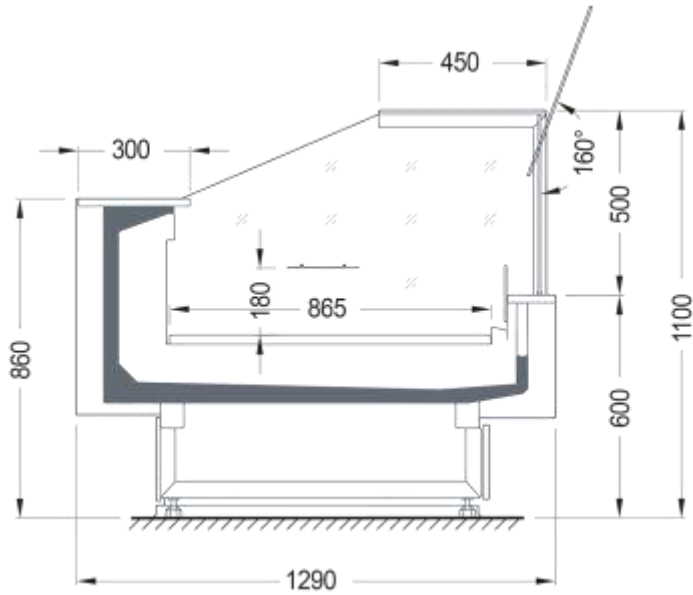


M1



MODULES 0.75 0.94 1.25 1.875 2.19 2.5 3.75



- LED Tube lights
- Internal Finish – Stainless Steel
- External Finish – RAL 9006
- Natural Stone Worktop
- Electrical Defrosting
- EC Fans

