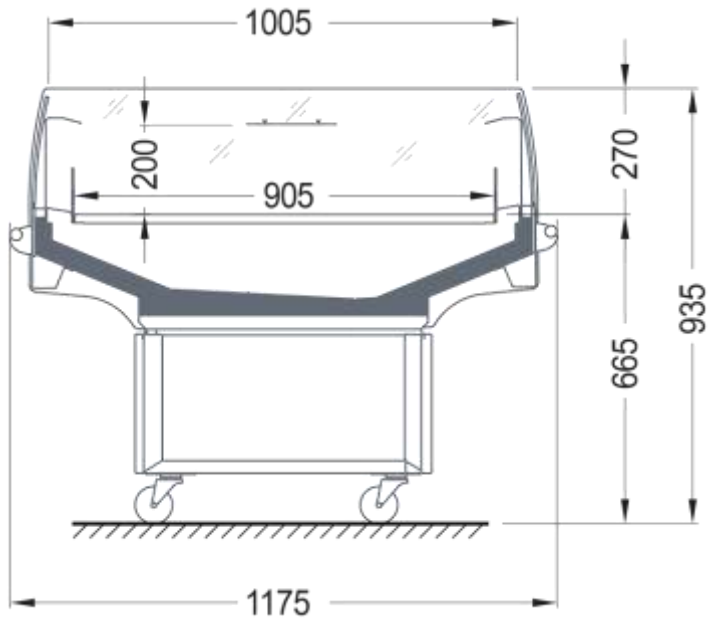


**M1**



**MODULES** 1.0 1.25



- Maintenance free condenser
- Stainless steel bumper bar
- Adjustable deck angle
- Castors
- Internal & external colours – RAL 9006
- Controller with temperature indicator
- Automatic evaporation of condensate
- Electrical defrosting

**JBG 2**